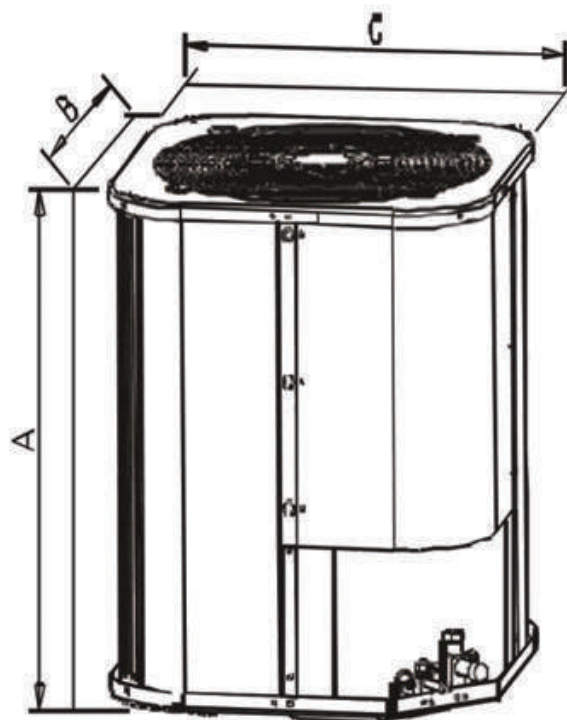


UNIDAD EXTERNA CONDENSADORA



SEER-14



DIMENSIONES:

UNIT MODEL	DIMENSIONS (mm)			REFRIGERANT CONNECTION LINE SIZE (mm)		
				LIQUID (φ)		REFRIGERANTN
	A	B	C	LF	RF	
36	633	740	740	3/8	3/4	410
60	835	740	740	3/8	7/8	410



ESPECIFICACIONES TÉCNICAS:

Model		COT-36CNR1	COT-60CNR1
STG model		COT-36CNR1-14	COT-60CNR1-14
Outdoor power supply		V/Ph/Hz	208~230V/1Ph/60Hz
Cooling	Capacity	Btu/h	33000
		W	9700
	Rated current	A	13,00
Max. input consumption		W	3680
Max. current		A	18,78
Compressor	Model		ASH280DG-C8DU
	Brand		HITACHI
	Type		Rotary
	Input	W	2700
	Rated current(RLA)	A	11.9
	Locked rotor Amp(LRA)	A	60
	Run capacitor	uf	70
	Refrigerant oil	ml	570
	Oil type		POE
Outdoor fan motor	Model		YDK-110-6P2
	Brand		Xinjun
	Input	W	250
	Output	W	110
	Capacitor	μF	6
	Speed	rpm	870
Outdoor coil	Number of row		2
	Fin spacing	mm	1,4
	Fin material		Non-Hydrophilic Aluminium Fin
	Tube outside diameter	mm	Φ7
	Tube material		Inner Grooved
	Coil length x height x width	mm	2136×588×26.74
	Number of circuit		6
Outdoor air flow		m ³ /h	5300
Outdoor noise level		dB(A)	60
Outdoor dimension	Unit (WxHxD)	mm	740×740×633
	Packing (WxHxD)	mm	760×760×660
Outdoor weight	Net	kg	68.3
	Gross	kg	71.1
Refrigerant	Type		R410A
	Charge	g	3200
Refrigerant pipe	Liquid side	in	Φ 3/8
	Gas side	in	Φ 3/4
	Max. refrigerant pipe length	m	20
	Max. difference in level	m	10
Design pressure		MPa	4.0 / 1.2
Max pressure		MPa	4,2